



Light control unit quick instructions

Product description

The Bosch Smart Home light control unit replaces existing traditional light switches.

Description of the symbols



Warning!
Note about hazards



Note:
Additional important information



Note about the installation video

! Safety instructions

- ▶ The device is not a toy! Do not allow children to play with it. Never leave the packaging material lying around unattended. Plastic film and small parts may pose a danger to children.
- ▶ When remotely or automatically controlling a device, it is not always possible to guarantee that commands are actually executed or that the correct device status is displayed in the app and on other Smart Home display devices because of external circumstances. This may lead to material damage and/or personal injury. Therefore, you must ensure to the greatest extent possible that no person

is endangered at the time of remote operation or automated control. Please take special care when setting up or adjusting the remote control or when using the automated control and check the desired functionality at regular intervals.

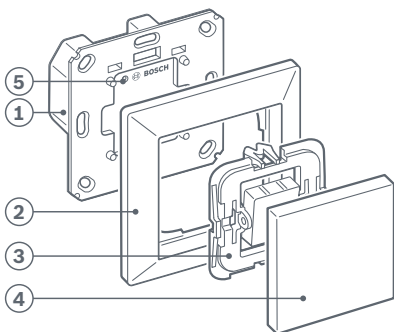
- ▶ Do not open up the device. It does not contain any parts to be maintained by the user. If a fault occurs, have the device checked by a specialist.
- ▶ We accept no liability for material damage or personal injury which is caused by improper use or failure to observe the safety instructions. In these cases, any guarantee claim becomes void! We accept no liability for consequential damage.
- ▶ This device may be used by children from 8 years of age and by persons with reduced physical, sensory or mental capacities, or a lack of experience and knowledge provided these persons are supervised or have been instructed in the safe use of the device, and understand the corresponding risks.
- ▶ For safety and approval reasons (CE), the device may not be modified and/or no changes may be made to the device without authorisation.
- ▶ Do not paint over the device! Do not apply wallpaper over the device!
- ▶ The light control unit is only suitable for controlling lamps.
- ▶ Any use other than that which is described in the user manual is considered improper and leads to the exclusion of guarantee and liability.
- ▶ The device is not suitable for disconnection.
- ▶ Do not use the device if it has damage visible from the outside, for example, to the housing, control elements or connection sockets, or if it has a malfunction. If in doubt, please contact our service team.

- ▶ Only operate the device indoors and do not expose it to moisture, vibrations, constant sunlight or other sources of heat, extreme cold temperatures and mechanical stress.
- ▶ The device may only be used for stationary installations and must be fastened securely within a fixed installation.
- ▶ Only use the device together with original components and recommended products from Bosch partners.

i Notes

- ▶ The range within buildings can differ significantly from the range in open spaces. In addition to the transmitting power and the receiving properties of the receiver, environmental factors such as humidity, as well as the local structural situation, play an important role.
 - ▶ The device is only suitable for use in residential environments.
 - ▶ The device is only intended for private use.
- ▶** You can also use the explanatory video and additional information on our website as an additional aid for mounting, installing, starting up and restoring the factory settings on your Bosch Smart Home light control unit:
- www.bosch-smarthome.com/rom/light-control**

Product overview



Item	Description
1	Light control unit
2	Example of a frame (not included in the box contents)
3	Example of an adapter (not included in the box contents)
4	Example of a rocker (not included in the box contents)
5	System button and status LED

An adapter (3) is essential for the operation of the light control unit (1).

At the same time, the adapter (3) is also used to attach the frame (2) and the rocker (4).

For your design freedom, we offer multiple adapter variants:

1. The universal adapter set for in-wall switches
This set includes a rocker with pre-mounted adapter and the matching frame.

2. Adapter set for switch ranges from brand manufacturers.

To correctly choose the right adapter, please check the brand and range of your existing switch range. To do this, remove the rocker and frame of the current switch and determine the precise type of your switch range with the help of the information on the insides of the components. Then use the adapter overview on our website and observe the necessary preparations for mounting where applicable.

i Information about the universal in-wall switch adapter set and the adapter set for brand manufacturers can be found at:
www.bosch-smarthome.com/rom/light-control-adapter

The status LED (5) shows the status of the light control unit using flashing codes.

Status LED flashing sequence	Device status	Recommended action
Flashes orange	Tuning mode (is active) or device is communicating with the controller	Please wait
Flashes green	Tuning mode (successful) or process confirmed	
Flashes red	Tuning mode (not successful) or process failed or max. wireless duration/hour reached (duty cycle limit)	If this is the first tuning attempt, please try again. Otherwise reset the device to the factory settings and contact the service department if necessary. If the wireless duration is exceeded, wait 60 minutes.
Flashes red 6x (long)	The device is defective	Please contact support.

Notes regarding installation

- ⚠** The standards and directives applicable in your country must be observed during planning, set-up, operation and maintenance.
- i** A 230 volt alternating current power supply is required for this product (the switch must have a phase and neutral conductor).
- ⚠** The product is only intended for fixed installation in in-wall switch boxes with a minimum depth of 50 mm and a screw distance of 60 mm (in accordance with DIN 49073-1) in indoor areas.
- ⚠** When connecting the device terminals, ensure that permitted wires and wire cross sections are used.
- ⚠** The consumers connected to the relay outputs must have sufficient insulation.
- ⚠** Observe the technical data, in particular the maximum permissible switching power of the relay and the type of consumers to be connected, before connecting a consumer. All load information relates to ohmic loads. The device should only be loaded to the specified power limit.

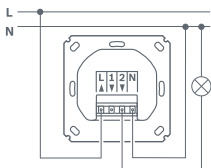
- ⚠ Overloading may result in destruction of the device, fire or an electric shock.
- ⚠ The power circuit to which the device and the load are connected must be secured with a circuit breaker in accordance with EN 60898-1 (trigger characteristics B or C, max. 16 A rated current, min. 6 kA breaking capacity, energy limitation class 3). Installation guidelines in accordance with the applicable national standards, e.g. VDE 0100 or HD384 or IEC 60364, must be observed. The circuit breaker must be easily accessible for the user and labelled as a disconnecter for the device.
- ⚠ The device is part of the building installation. The standards and directives applicable in your country must be observed during planning and set-up. Operation of the device is only permitted at 230 V/50 Hz AC voltage. Work on the 230 V network may only be carried out by an electrician (relevant standards and directives of your country). The applicable accident prevention regulations must be observed here. To avoid an electric shock on the device, please switch off the mains power. Failure to observe the installation instructions may result in fire or other hazards.

Installation

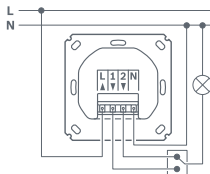
! Before you start: Be sure to shut off the power circuit breaker!

Remove the existing light switch.
Connect the light control unit in accordance with the connection diagram below:

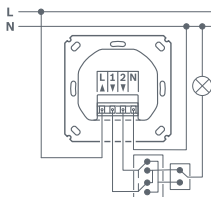
Deactivation



Multiway switching



Intermediate switch circuit



Terminal	Description
L	External conductor
1	Corresponding [normally closed]
2	Lamp/corresponding [normally open]
N	Neutral conductor

- i** For installation in a multiway switching or intermediate switch circuit, the light control unit may only be used as a replacement for the switch with a connection to the external conductor L.
- i** A minimum load of 3 W is required for operation in a multiway switching or intermediate switch circuit.

Attach the light control unit to the wall box using the screws included. Pay attention to correct orientation: The system button must be on the top left. Before putting on the adapter, frame and rocker, first connect the device to your Smart Home system as described in the next chapter. Switch the power circuit breaker back on. As soon as the light control unit is connected to the power supply, tuning mode starts and is active for 3 minutes. Tuning mode can be restarted at any time by pressing the system button.

Start-up

Ensure that you have a Bosch Smart Home controller and the Bosch Smart Home app and have successfully configured both. Now start the Bosch Smart Home app and select “Add new device”. Follow the instructions in the app.

Mounting

- i** Before mounting, consider whether you may need to make any adjustments to the rocker or the frame for your adapter.

First, press the rocker onto the matching adapter until it is firmly seated. Then insert the rocker into the frame. Next, insert this unit into the light control unit by inserting the locating pins on the adapter into the slots on the device.

- i** You can find a more detailed description of mounting at:
www.bosch-smarthome.com/rom/light-control-adapter

Resetting to factory settings

You can reset the device to its factory settings as follows:

Remove the rocker. Press the system button with a pointed object and hold it for approx. 4 seconds until the status LED flashes orange. Release the system button briefly and press it again until the LED lights green. The device then restarts. Please note that it can take a few seconds until the light control unit is ready for operation again.

- i** When resetting to factory settings, the settings and information are only lost from the device and not from the Bosch Smart Home controller.

Maintenance and cleaning

The device does not require maintenance. Leave any repairs to a specialist. Clean the device with a soft, clean, dry and lint-free cloth. When cleaning, do not use any cleaning agents containing solvents.

Simplified declaration of conformity

 Robert Bosch Smart Home GmbH hereby declare that the radio equipment type Bosch Smart Home Light Control in-wall AA corresponds with the directive 2014/53/EU. The complete text of the EU declaration of conformity is available via the following web address: <https://eu-doc.bosch.com>

Environmental protection and disposal

 Electrical or electronic devices which are no longer usable must be collected separately and disposed of via an environmentally friendly recycling facility (European Directive on Waste Electrical and Electronic Equipment). Use your country's specific return and collection systems when disposing of waste electrical or electronic devices.

Technical data

Device type designation	Light Control in-wall AA
Protection class	IP20
Ambient temperature	+5 °C - +35 °C
Housing dimensions (W × H × D)	71 × 71 × 7 mm
Weight	43 g
Radio frequency	868.3 MHz / 869.525 MHz
Duty cycle	<1 % per h / <10 % per h
Max. transmitting power	10 dBm
Radio range in the open	≤240 m
Software class	A
Receiver category	SRD category 2
Supply voltage	230 V _{AC} / 50 Hz
Max. current draw	5 A
Power consumption in sleep mode	0.2 W
Cable type and cross section	Rigid and flexible cable, 0.75 – 1.5 mm ²
Installation	In accessory sockets with a depth of at least 50 mm and a device screw spacing of 60 mm
Max. switching power	1150 W, ohmic load
Relay	Changeover
Measurement category	CAT III

Technical modifications reserved

Open source software

This Bosch Smart Home product uses open-source software. License information for the components used can be found in the attached documents.

Service information

 Robert Bosch Smart Home GmbH
Schockenriedstraße 17
70565 Stuttgart-Vaihingen
Germany

 service@bosch-smarthome.com

@ www.bosch-smarthome.com/service